





INFORMATION & DATA

 FLUORESCENT LAMPS	WATTS		WATTS		 INCANDESCENT LAMPS
	5	=	25		
	7	=	30		
	10	=	40		
	13	=	60		
	19	=	75		
	23	=	100		
	27	=	120		
32	=	150			
ABOVE WATTAGE EQUIVALENTS ARE APPROXIMATIONS ONLY (LUMENS MAY VARY)					

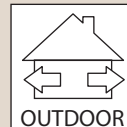
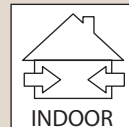
ORIENTATION



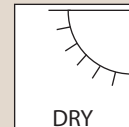
INCANDESCENT LAMP

Interior: 1x100 Watt Max
 Exterior: 1x150 Watt Max

LOCATION



ENVIRONMENT



OR

ORIENTATION



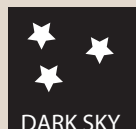
FLUORESCENT

GU-24 Base

- California Title 24 Compliant
- Integrated-Ballast Compact Fluorescent in multiple standard wattages
- Energy Saving



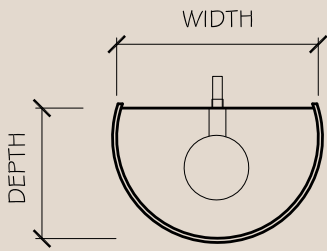
DARK SKY



Many communities are beginning to pass legislations to stop light pollution. Light pollution is any artificial lighting that produces an adverse effect such as sky glow, glare, light trespass, light clutter, decreased visibility at night and energy waste which is caused by lighting that faces the night sky, spills over or reflects. Dark Sky lighting directs the light downward, greatly reducing or eliminating light spill over, allowing star gazing, supporting biological rhythm for plants, animals and humans. (Not all models apply).

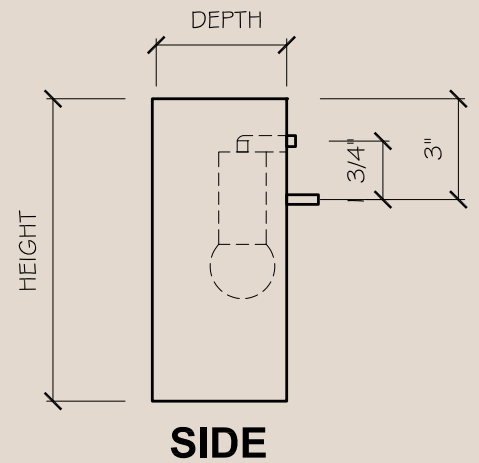
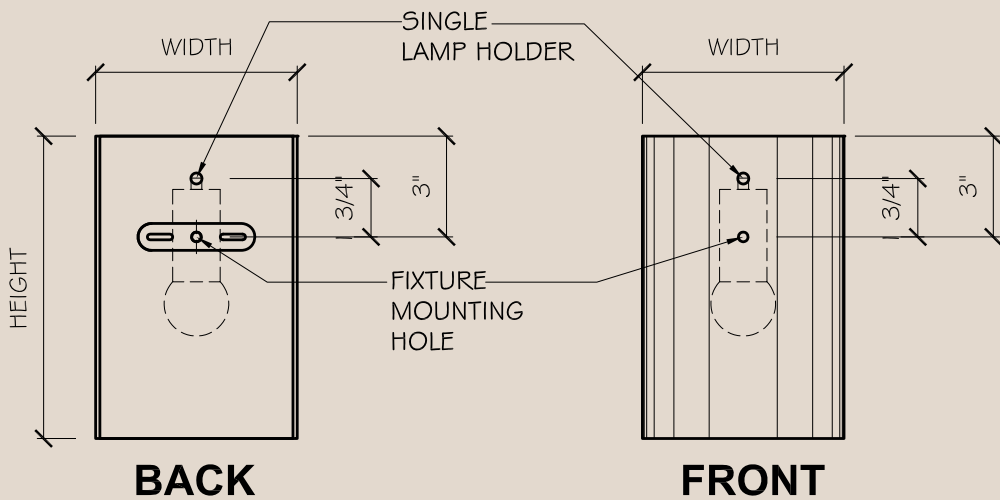
TECHNICAL DATA

SINGLE & DUAL LAMP HOLDER



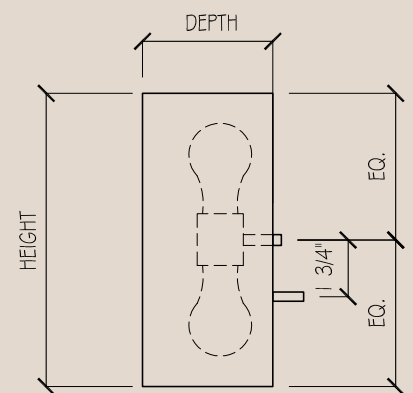
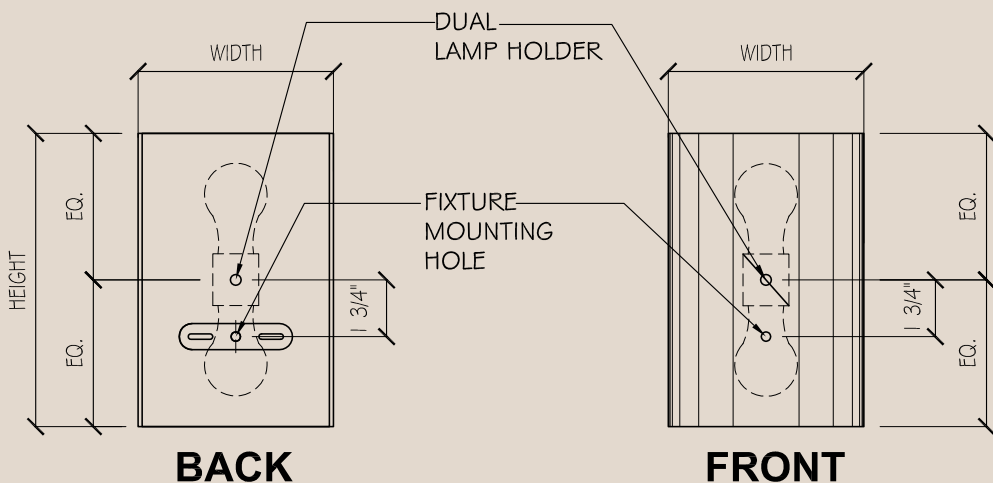
TOP VIEW

SINGLE LAMP HOLDER



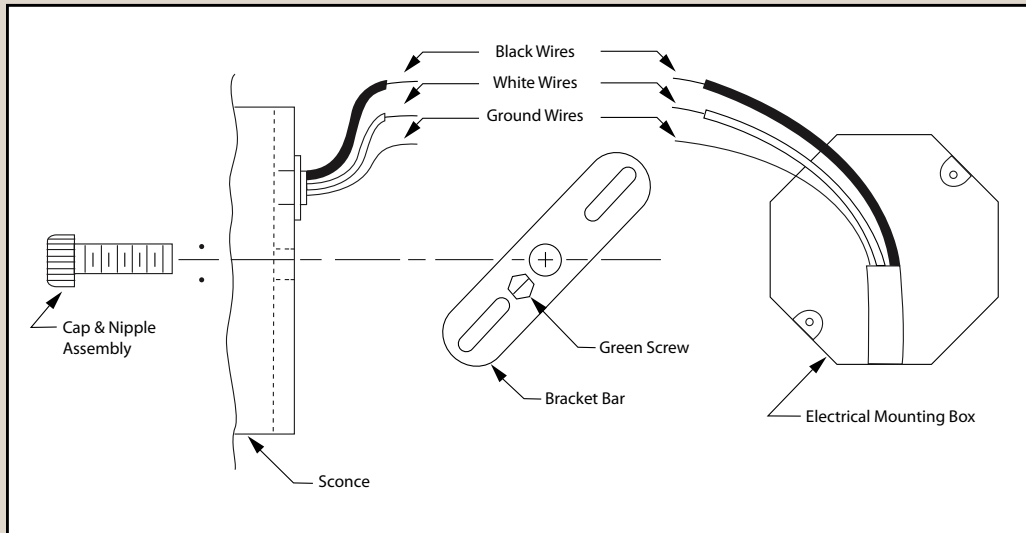
SIDE

DUAL LAMP HOLDER



SIDE

INSTALLATION INSTRUCTIONS



WARNING:
RISK OF FIRE OR
ELECTRICAL SHOCK.
MUST BE INSTALLED
BY A QUALIFIED
ELECTRICIAN.

- STEP:**
- 1- Insure the electrical mounting box power is OFF.
 - 2- Secure the two ground wires (sconce and supply) onto the bracket bar using the green screw.
 - 3- Secure the two white wires (sconce and supply) together using a wire nut.
 - 4- Secure the two black wires (sconce and supply) together using a wire nut.
 - 5- Attach bracket bar to the electrical mounting box. Carefully push excess wire into the electrical mounting box.
 - 6- Secure the sconce to the wall by putting the cap and nipple assembly inside the sconce and through the hole in the back. Screw the cap and nipple assembly into the center hole of the bracket bar snugly. (Caution: Do not over tighten. Damage to the sconce may occur.)

WARNING: FOR WET LOCATIONS OR OUTDOOR USE, CLOSED TOP MODELS MUST BE INSTALLED FOR DOWN LIGHT ONLY. APPLY A CONTINUOUS BEAD OF SILICONE CAULK AROUND THE OUTSIDE PERIMETER OF THE SCONCE TO SEAL IT AGAINST THE WALL IT IS BEING MOUNTED UPON.